

Junction blocks

BPI 4M4A5P-2K-B0-KPXB0-050

Order Code: BPI009Y

BALLUFF

Remarks

Cable construction acc. to UL-AWM Style 20549/10493

Flame resistance per IEC 60332-1-2

Flame resistance per UL 758/1581 FT2

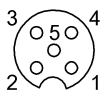
Halogen-free per DIN VDE 0472 Part 815

Halogen-free acc. to IEC 60754-1

Oil resistant per DIN EN 60811-404 (VDE 0473-811-404)

Enclosure rating per IEC 60529, only in screwed state with the associated mating piece.

Connector Drawings



I/O ports

PIN 1: +24V

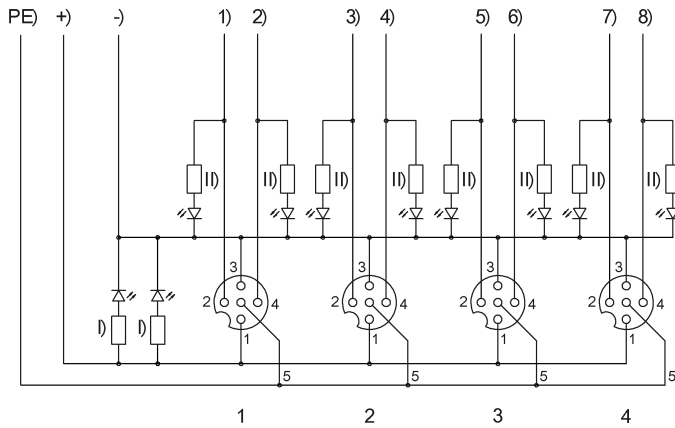
PIN 2: Normally closed

PIN 3: 0V

PIN 4: Normally open

PIN 5: PE

Wiring Diagrams



-) blue 1.00 mm²
- +) brown 1.00 mm²
- 1) gray/pink
- 2) white
- 3) red/blue
- 4) green
- 5) white/green
- 6) yellow
- 7) brown/green
- 8) gray
- I) LED green
- II) LED yellow
- PE) green/yellow 1.00 mm²